

1 2 3 4 5 6 7 8 9 10

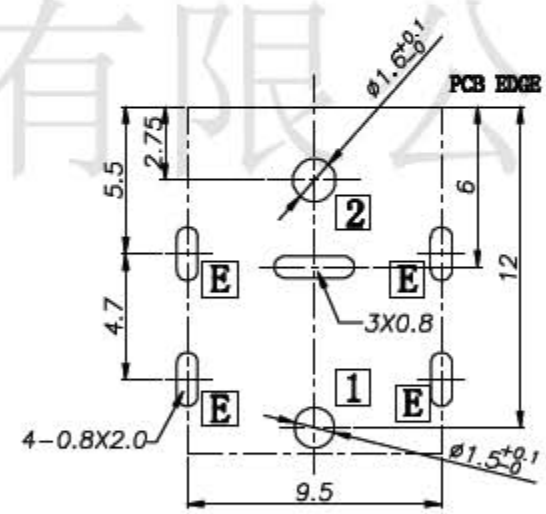
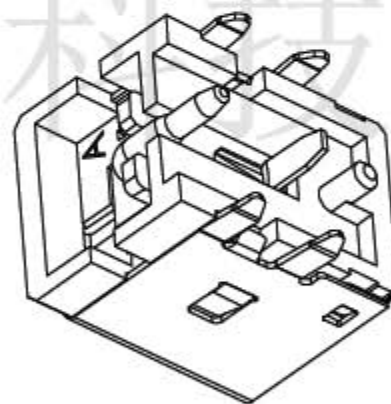
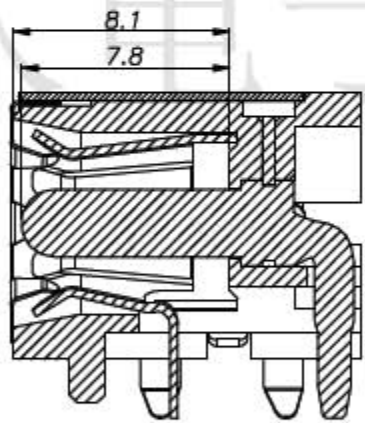
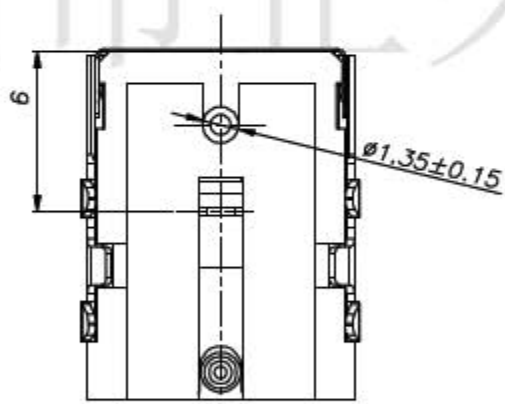
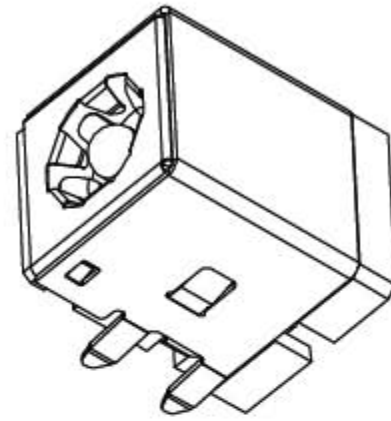
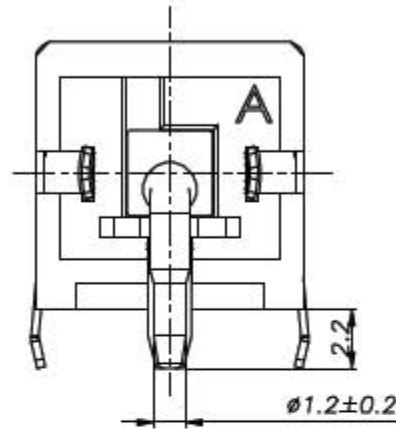
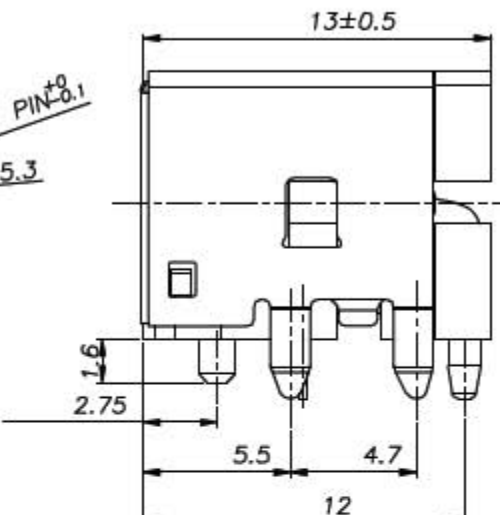
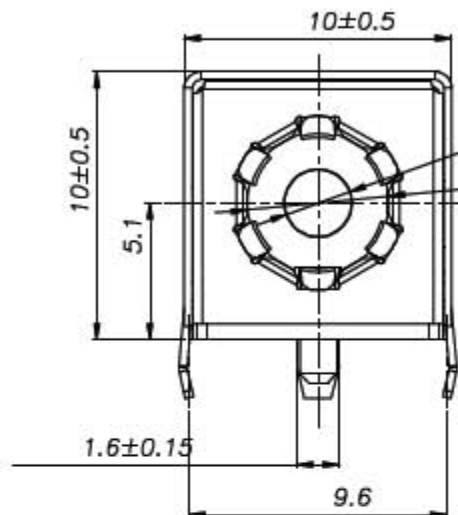
A

B

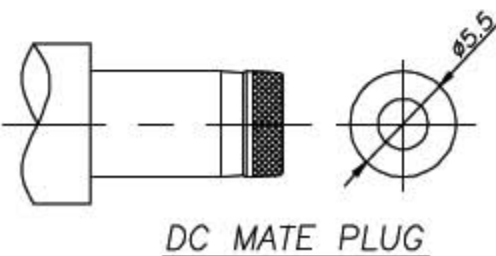
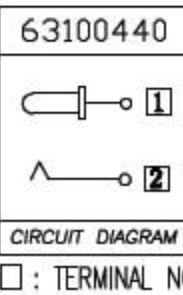
C

D

E



P.C.B Layout



UNIT:MM	TYPE:	MODEL NO:	PAPER NO: A	1 OF 1
	PHONE JACK	63100440	TOLERANCE	VER
DESIGNER BY:	CHECK BY:	APPROVED BY:	±0.15	1
			±1.5	



1 2 3 4 5 6 7 8 9 10