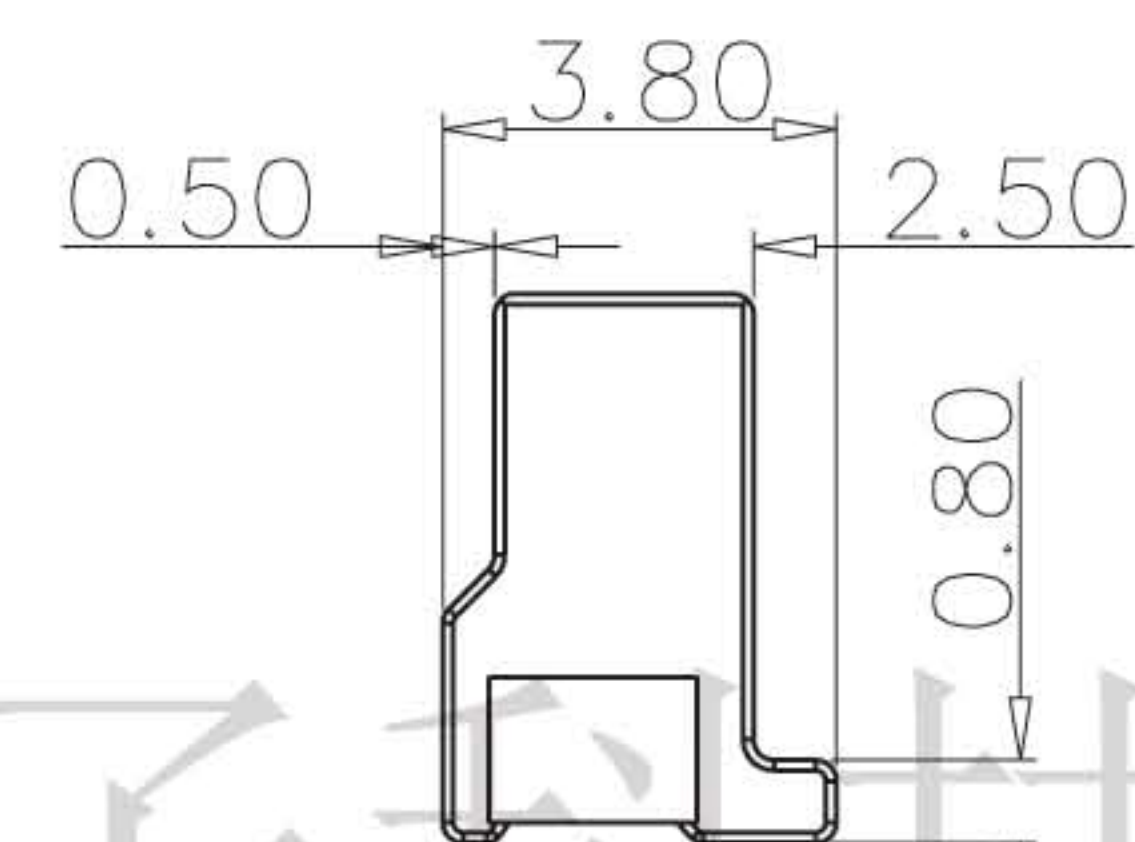
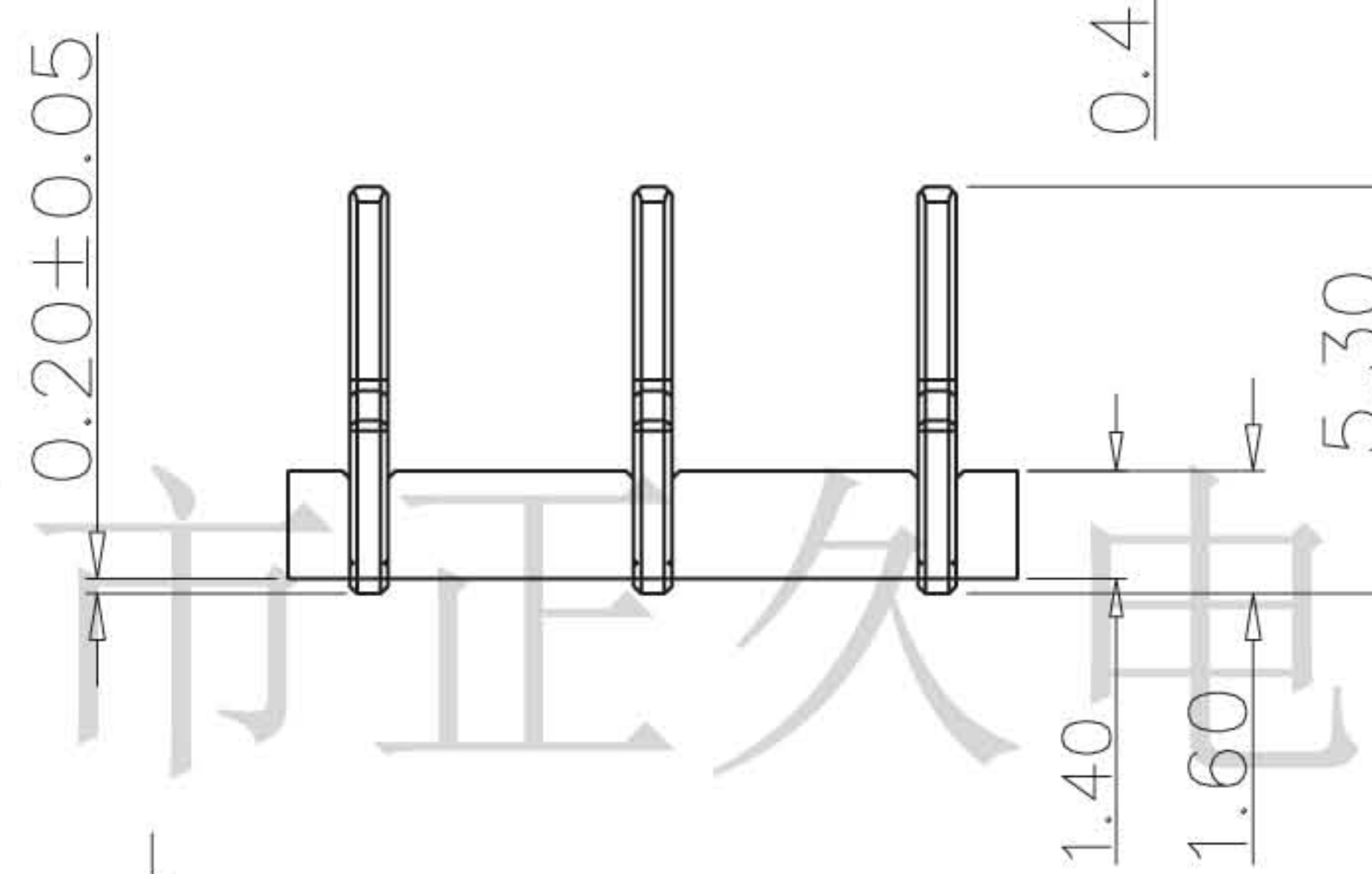
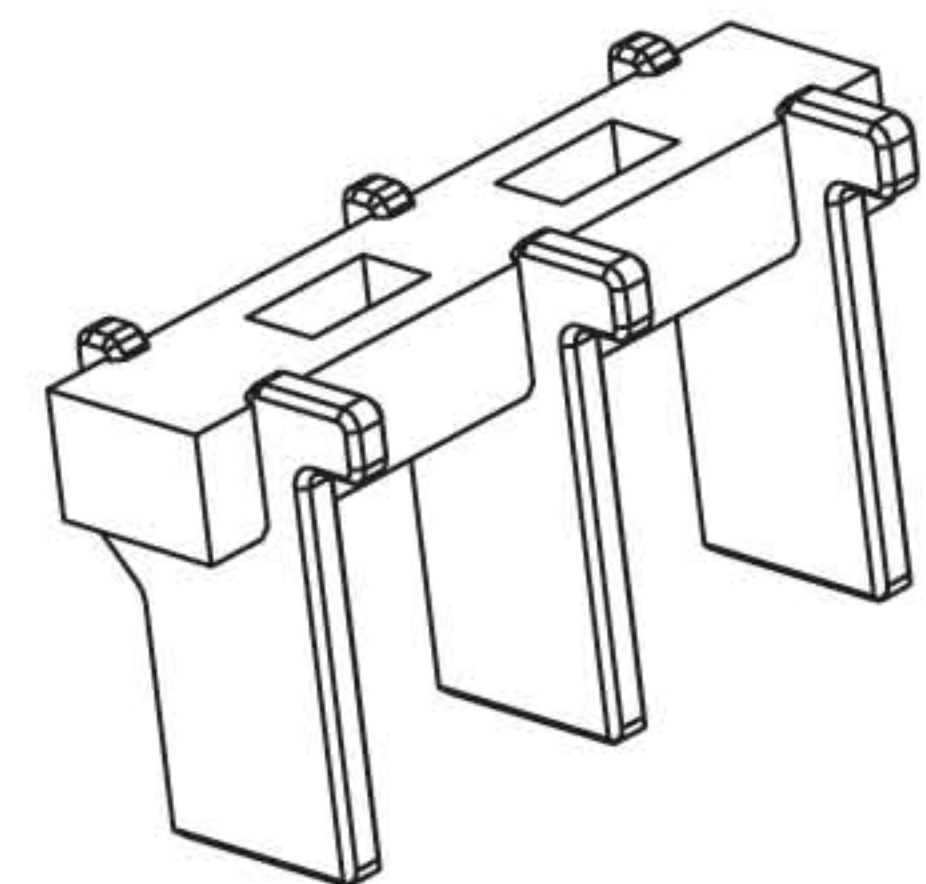
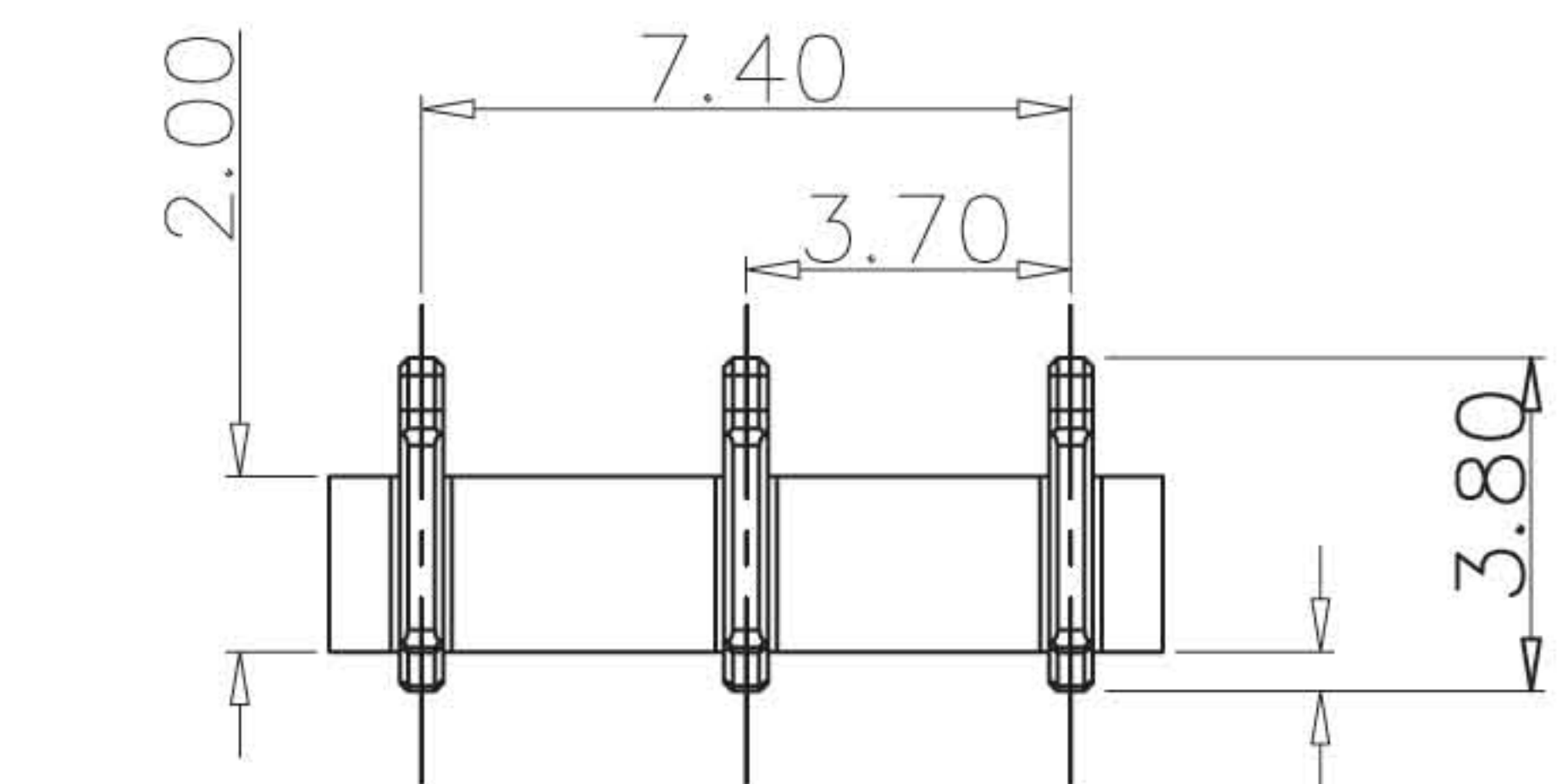


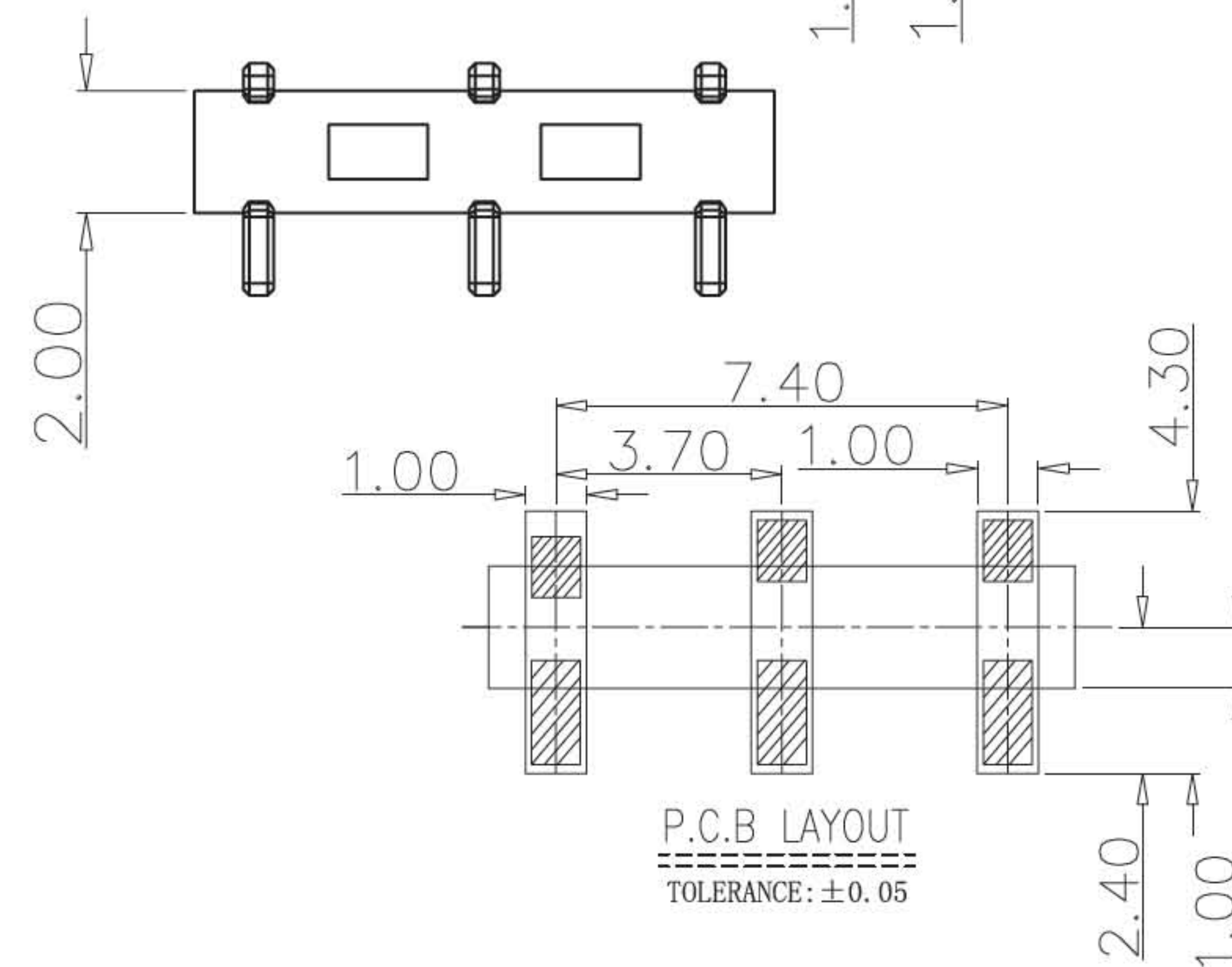
RoHS
Compliant

客户图面

| REV | DESCRIPTION | APPR | CHECK | DRAW | DATE |
|-----|-------------|------|-------|------|--------|
| 0 | 原始图档 | | King | Wang | 060808 |



- NOTES:
 1. MATERIAL:
 HOUSING:LCP 30% G/F UL94 V-0
 COLOR:BLACK
 CONTACT:COPPER ALLOY T=0.60mm
 2. FINISH:
 CONTACT: 1u" GOLD PLATING ON CONTACT AREA
 G/F PLATING ON SOLDER TAILS
 50u" MIN. NICKEL UNDERPLATING OVER ALL



| | | | | | | |
|-----------------|---------------------------------------|------|--|---------|---------------------------------|---------|
| QUALITY SYMBOLS | GENERAL TOLERANCES (UNLESS SPECIFIED) | | SCALE: 1:1 | NUMBER: | 深圳市正久电子科技有限公司 | |
| | MM | INCH | MATERIAL: LCP | HRC: | TITLE: ZJ-3P-3.7PH-5.3H无柱(8900) | |
| ▽ ⁻⁰ | .XX | .XX | DRAWN BY: JK YANG | DATE: | THIRD ANGLE PROJECTION | |
| ▽ ^C | .XX | .XXX | CHECKED BY: | DATE: | REVISE ON CAD ONLY | |
| | ANCHOR ±1° | | APPROVED: | DATE: | PART NO. | DWG NO. |
| | | | TEL: 0769-82606679 FAX: 0769-82606680 网址: www.zj2013.com | | SHEET NO. 1/1 | A4 |

